

WALL COLMONOY

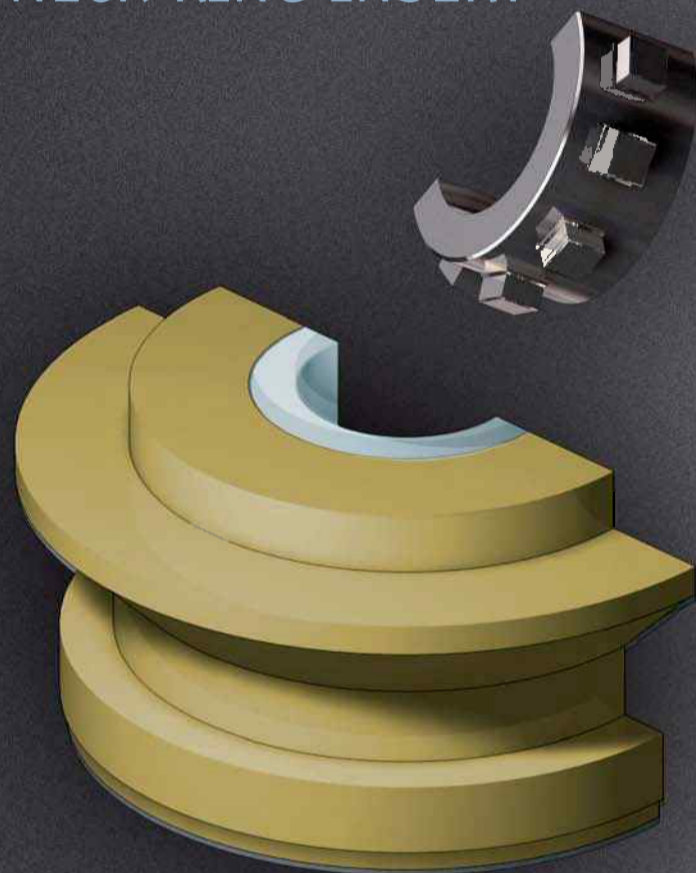
NICKEL BASED ALLOY CASTINGS FOR THE GLASS INDUSTRY

0.2

MAKING METALS
HARDER SINCE 1938



NECK RING INSERT



BAFFLE



BAFFLE INSERT

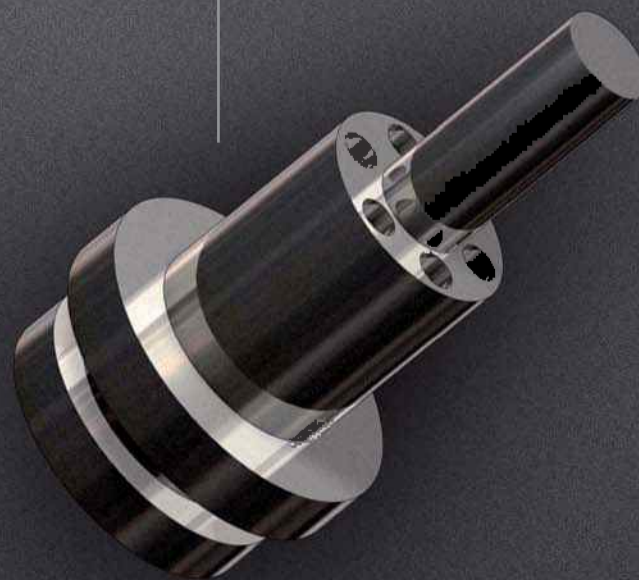
BAFFLE VALUE



GUIDE PLATE



PLUG



THIMBLE

